

universal
formwork
system.



durability, compatibility and strenght.

panel heights: available in heights of 300 cm , 120 cm and on demand 330 cm, 270 cm and 135 cm. wide range for every sizes of steel frame.

steel: highly resisting steel, type s315mc.

frame depth: 123 mm

thickness: 2,50 mm

finishing technique: hot zinc-coat

max concrete pressure: 80 kn/m²

high-quality plywood: 18 mm finn quality-plywood or a plastic-coated plywood that lives 3 times longer.

high compatibility: the formworks are perfectly compatible with other formwork systems currently leading the market.

new concrete finishes: thanks to an innovative steel profile, we have improved visible concrete surfaces. destil formwork for works of art.

long life: frames and profiles are hot deep galvanised both inside and outside.

low density of tie rods: you need only 2 tie rods for concreting heights up to 300 cm panel, decreasing the assembly times.

large-area crane operation: versatile, quickly assembled and movable in large units. destil is used on both small and large construction sites.

fast connection of panel: singular geometry of steel profile allows the connection of different steel frame modules in any position by quick-acting clamp and multi-function clamp. corners and circular walls: all corners, articulated corners and panels for circular walls or columns are available. technical assistance: we ensure technical assistance pre-and post-selling.

accessories: full range and interchangeability of all accessories.

speed: fast system for walls, columns and slabs. rapid planting, removing and moving on-site of formwork. the construction time is reduced by 25% compared to conventional methods.

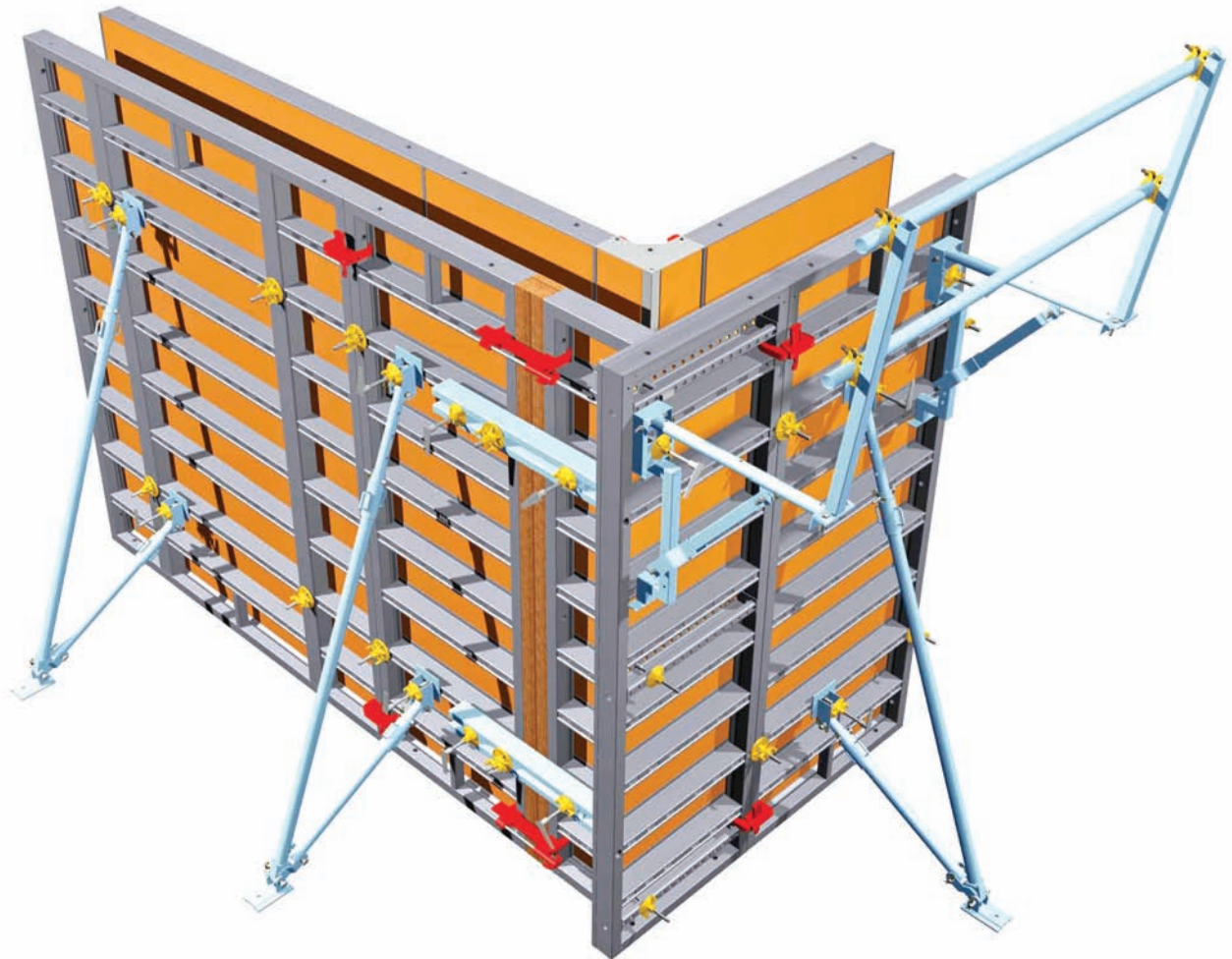
reutilization: high number of possible reutilization (over 300).

this steel frame system allows the construction of the following:

- vertical formworks
- horizontal formworks
- formworks supported by shoring system
- climbing formworks suitable for towers and bridge piers
- dam formworks
- formworks suitable for construction of elevator shaft
- single-faced concreting formworks
- tunnel formworks.



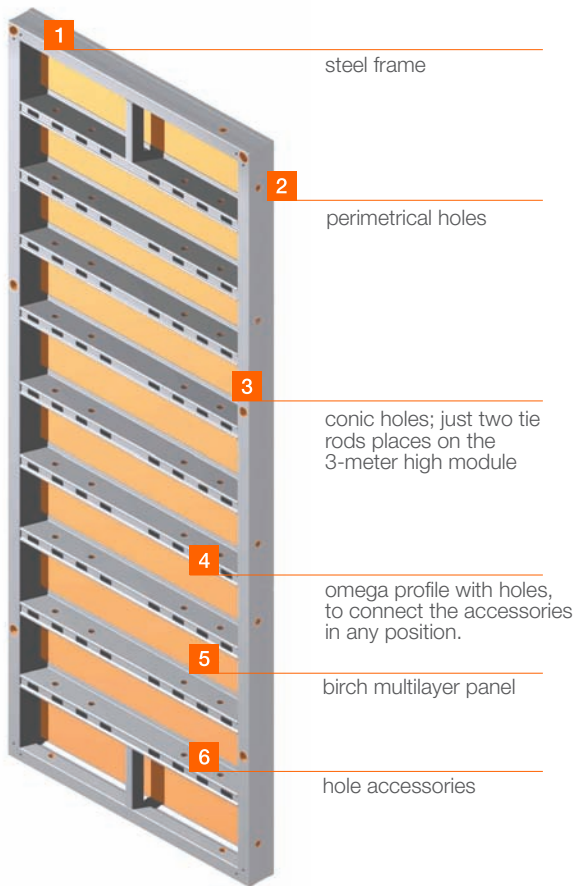
FORMWORK ELEMENTS



	A	B	C	D	E	F	G
1							
2							
3							
4							
	A	B	C	D	E	F	G

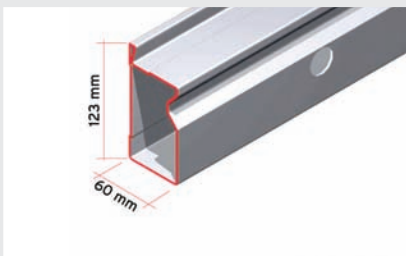
ACCESSORIES

- A1 quick acting clamp
- B1 multi function clamp
- C1 pressure plate
- D1 compensation sheet
- E1 prop extension
- F1 fixed bracket
- G1- G2 panel strut H=540cm
- A2 plate nut 120mm
- B2 plate nut 100mm
- C2 anchorage tube
- D2 stop-end tie clamp
- E2 spring locked connecting pin Combro
- A3 plate nut 70mm
- B3 hexagon nut L=50mm
- C3 universal fixing bolt for waling L=250mm
- D3 universal fixing bolt L=330mm
- E3 universal walings
- F3 universal angle tie bracket
- G3 - G4 panel strut H=340mm
- A4 tie rods d=15mm
- B4 hexagon nut L=70mm
- C4 universal fixing bolt for waling L=400mm
- D4 universal fixing bolt L=205mm
- E4 universal corner waling



SER 3300	SER 3000	SER 2700
3300x2400 (422.10Kg)	3000x2400 (384.10Kg)	2700x2400 (344.40Kg)
3300x1350 (207.65Kg)	3000x1200 (172.10Kg)	2700x1350 (169.30Kg)
3300x1200 (190.00Kg)	3000x1000 (150.50Kg)	2700x1200 (154.60Kg)
3300x500 (107.50Kg)	3000x900U (160.70Kg)	2700x900U (154.00Kg)
3300x900U (188.10Kg)	3000x750 (122.50Kg)	2700x750 (110.40Kg)
3300x750 (134.70Kg)	3000x600 (105.80Kg)	2700x600 (95.40Kg)
3300x600 (116.50Kg)	3000x500 (94.90Kg)	2700x500 (85.45Kg)
3300x450 (98.50Kg)	3000x450 (89.30Kg)	2700x450 (80.70Kg)
3300x300 (80.50Kg)	3000x300 (72.75Kg)	2700x300 (68.70Kg)

SER 1350	SER 1200
1350x1350 (91.90Kg)	1200x2400 (145.20Kg)
1350x1200 (83.75Kg)	1200x1200 (79.60Kg)
1350x900U (82.10Kg)	1200x1000 (69.30Kg)
1350x750 (57.30Kg)	1200x900U (77.65Kg)
1350x600 (51.30Kg)	1200x750 (56.20Kg)
1350x500 (48.20Kg)	1200x600 (48.20Kg)
1350x450 (43.35Kg)	1200x500 (43.50Kg)
1350x300 (35.40Kg)	1200x450 (40.40Kg)
	1200x300 (32.60Kg)
	1800x900U (107.00Kg)



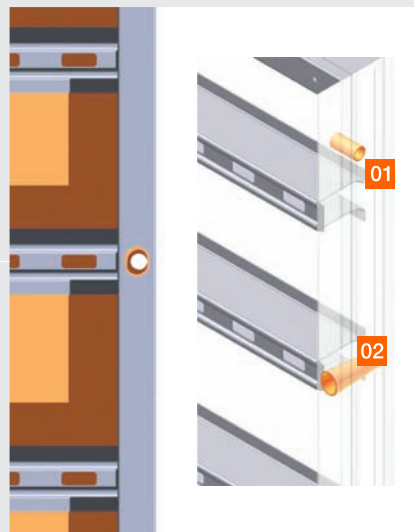
BORDER FRAME PROFILE

hot-rolled steel S355MC
 admissible load: 80 kN/m²
 finishing technique: hot zinc-coat



OMEGA PROFILE

hot-rolled steel S355MC



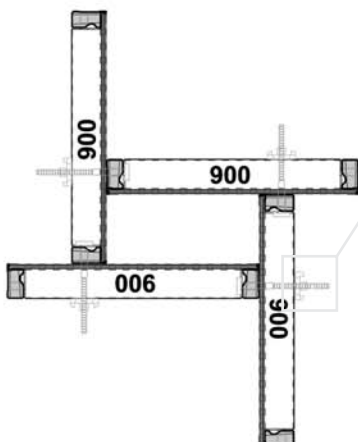
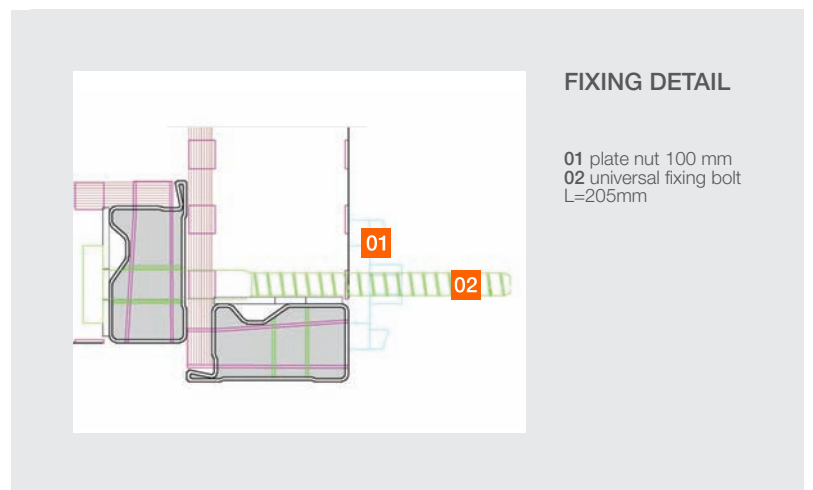
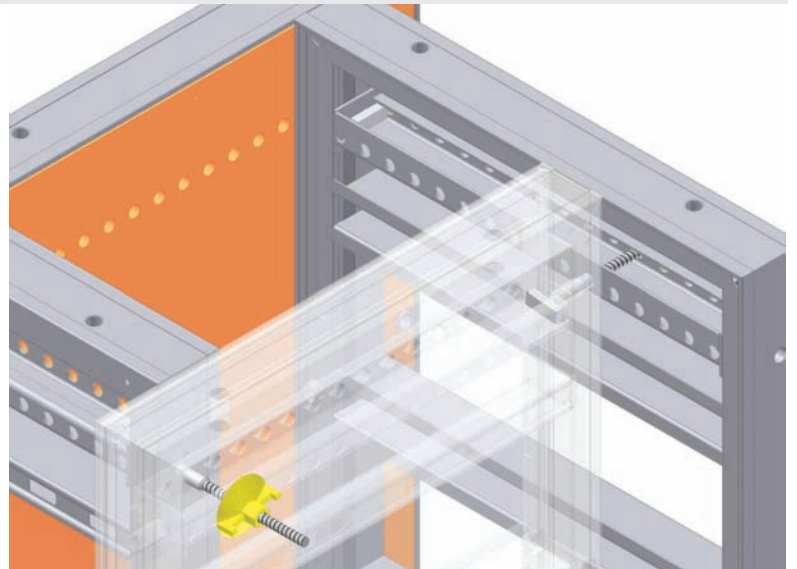
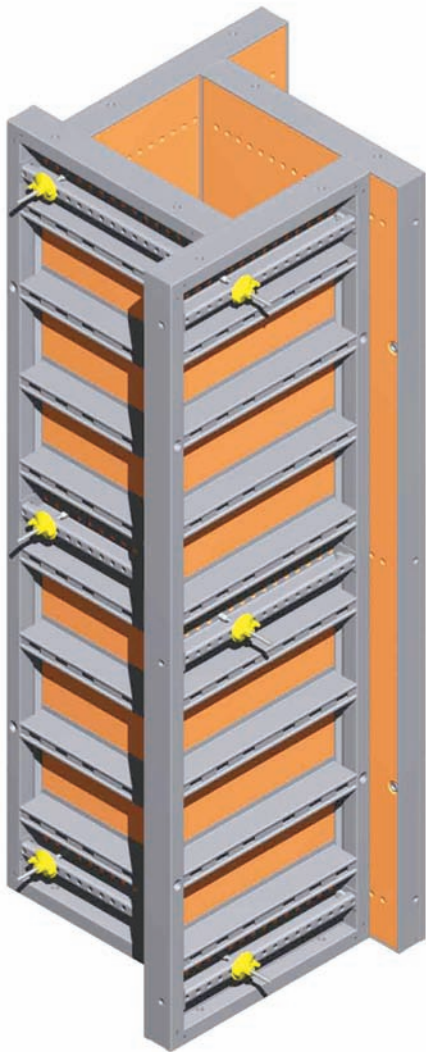
DETAIL: CONIC HOLES

01 perimetrical holes
 02 conic holes

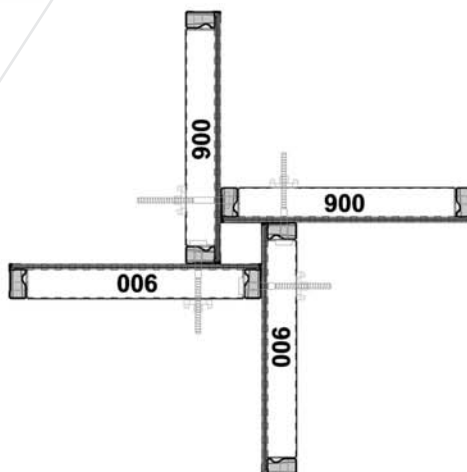
PILLAR

FEATURES

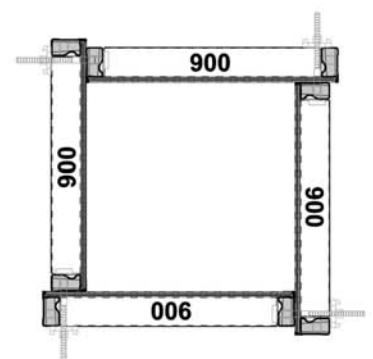
formwork panels are available in three column heights: 120 cm, 180 cm and 300 cm. allow the execution of pillars of different sizes, from 15x15 cm to 75x75 cm.



exemple



pillar 150x150 mm



pillar 750x750 mm



PORTUGAL

HEADQUARTERS

Zona Industrial da Farrapa
Chave 4540-267
Arouca Portugal

tel.: **+351 256 420 890**
fax: **+351 256 422 774**

NORTH DELEGATION

Estarrejapark
Quinta da Indústria
3860-680 Estarreja
Portugal

tel.: **+351 234 847 043**
fax: **+351 234 847 046**

SOUTH DELEGATION

Pq. Empresarial do Barreiro
Lg. Alexandre Herculano
Caixa Postal 5057
2831-904 Barreiro Portugal

tel.: **+351 21 192 12 01**
fax: **+351 21 192 12 00**

ANGOLA

Travessa N'Gola M bandi,
s/n Bairro da Madeira
Município da Maianga
Luanda Angola

tel.: **+244 222 680 050**
fax: **+244 222 680 051**

BRASIL

Estrada Municipal, 300
(Km 33 Rodovia Fernão Dias)
Atibaia - São Paulo

tel.: **0051 (11) 4416-1933**

SPAIN

e-mail: administracion@catari.net

tel.: **+351 256 420 890**
fax: **+351 256 422 774**

a **diferent** brand.
www.catari.net